

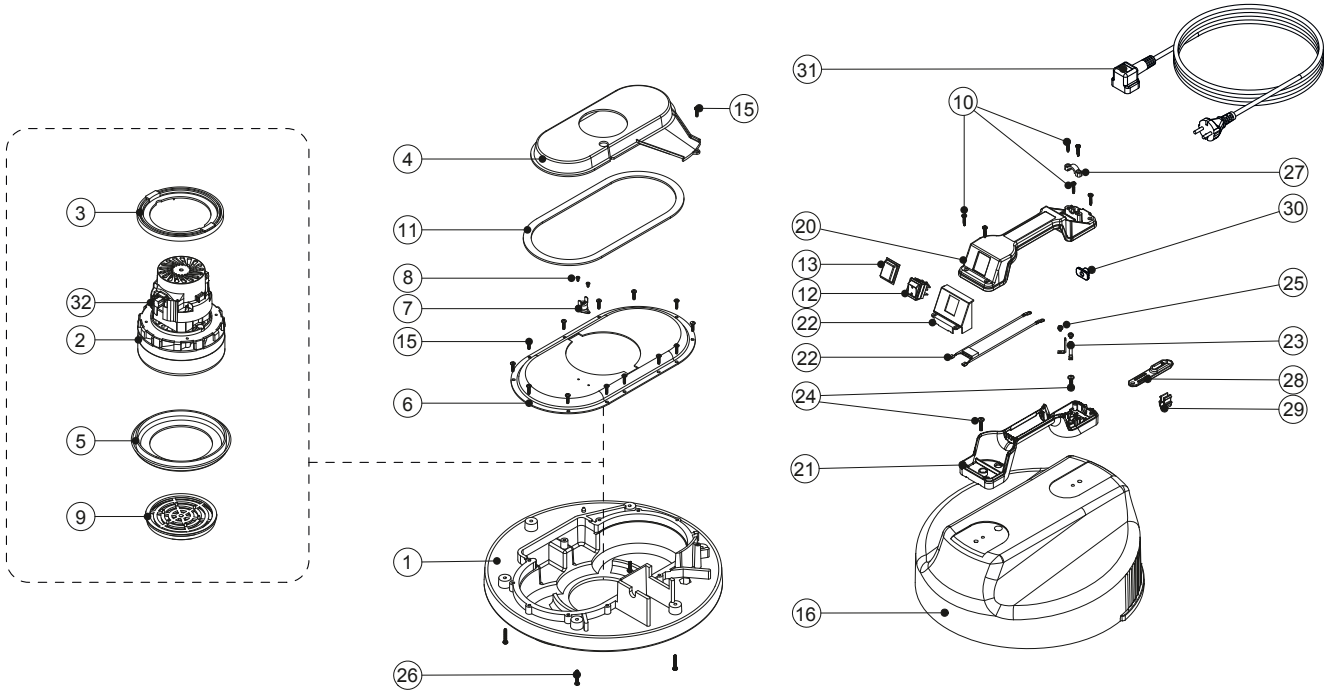


**PROTECTS  
YOUR HEALTH**

# SPARE PARTS

## SINGLE MOTOR WATER

AWS 1215 / AWS 1230 / AWS 1270-DH



| POS. | ITEM no. | DESCRIPTION  |
|------|----------|--|
| 1    | 500154   | PROCESSED BOTTOM MOTOR HOUSING                     |
| 2    | 500902   | LAMB BYPASS MOTOR 240V                             |
| 3    | 500112   | TOP MOTOR GASKET                                   |
| 4    | 501018   | AIR SEPERATOR (SIMPLEX)                            |
| 5    | 500113   | MOTOR BOTTOM GASKET                                |
| 6    | 501019   | SIMPLEX TOP MOTOR HOUSING                          |
| 7    | 500121   | THERMOSTAT   |
| 8    | 500120   | M3 X 5MM LONG POZI PAN TAPTITE SCREW               |
| 9    | 500492   | FAN GUARD  |
| 10   | 500997   | N06,5/8 INCH LG.POZI-PAN.SCREW.Z/PL.PLASTITE       |
| 11   | 500122   | GASKET   |
| 12   | 500578   | BLUE ROCKER SWITCH                                 |
| 13   | 500346   | SWITCH COVER (PLUG HANDLE)                         |
| 14   | 501013   | 220V DUPLEX SUPPRESSOR ASSY AMETEK MOTOR           |
| 15   | 500156   | N08 X 5/8 INCH LONG PLASTITE STAINLESS STEEL SCREW |

| POS. | ITEM no. | DESCRIPTION   |
|------|----------|---|
| 16   | 500118   | COVER MOULDING DOUBLE GRILL WITH INSERTS                          |
| 20   | 500579   | HANDLE COVER 1-SWITCH 2 POLE 10A                                  |
| 21   | 500396   | HANDLE BASE 2 INSERTS   |
| 22   | 500969   | SWITCH MOUNTING BRACKET (1 SWITCH)                                |
| 23   | 501014   | CONTACT PIN   |
| 24   | 500917   | M5 X 16MM LONG POZI PAN SEMS SCREW                                |
| 25   | 500110   | M4 X 10MM LONG T20 SEMS SCREW Z/PL - PRODUCT CODE 8.8 - TX20 HEAD |
| 26   | 1001102  | N08 X 1 INCH LONG POZI PAN STAINLESS STEEL PLASTITE SCREW         |
| 27   | 501015   | PLUG LOCATION CLAMP   |
| 28   | 500560   | STRAIN RELIEF   |
| 29   | 500599   | CABLE CLIP  |
| 30   | 501016   | HANDLE REAR SEAL  |
| 31   | 500338   | 10.0MT X 1.0MM X 2 CORE YELLOW NUCABLE (SOCKET + PLUG) EURO       |
| 32   | 500991   | KOOLSTOFBORSTEL (PER STUK)  |



Hermesweg 11<sup>A</sup>  
4051 BV Ochten

+31 (0)85 9020000  
info@airbo.eu

[www.AIRBO.eu](http://www.AIRBO.eu)

VA - 17012023