

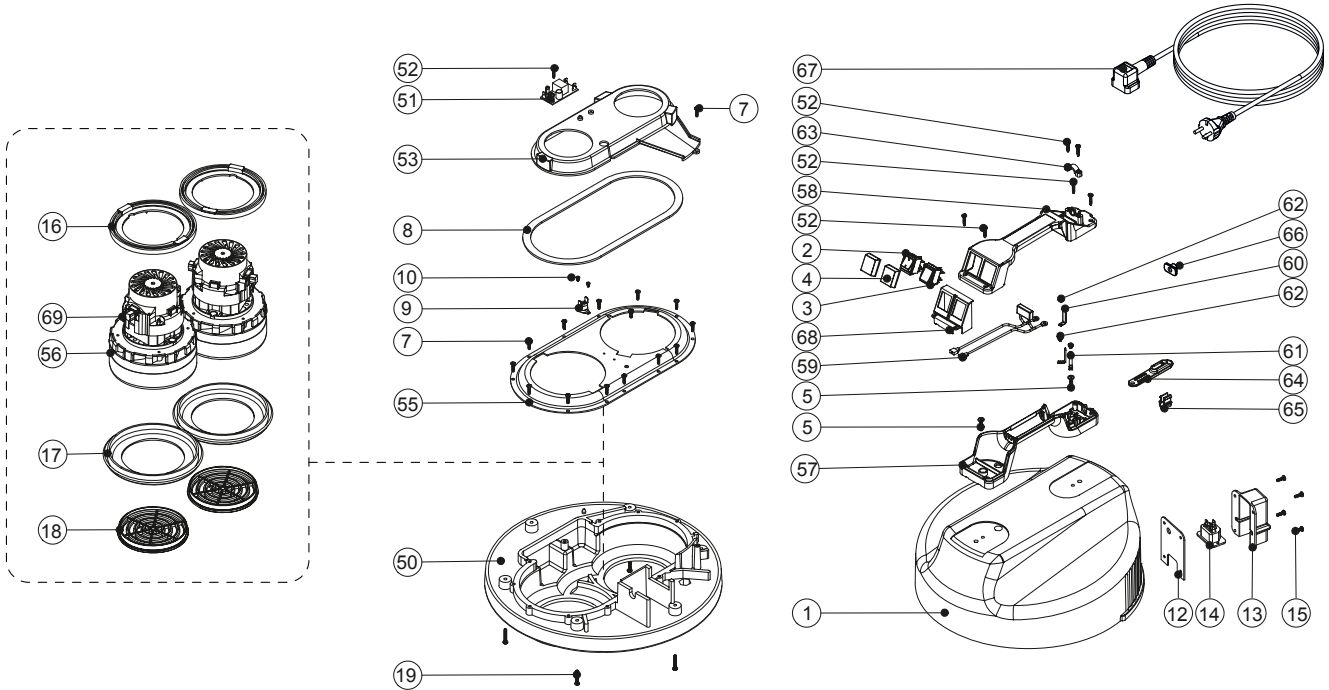


**PROTECTS  
YOUR HEALTH**

# SPARE PARTS

## DOUBLE MOTOR WATER

AWD 2470-AP



POS.	ITEM no.	DESCRIPTION
1	500118	PROCESSED HEAD TOP
2	500578	BLUE ROCKER SWITCH
3	500921	GREEN ROCKER SWITCH
4	500346	SWITCH BOOT
5	500147	M5 X 20MM LONG POZI PAN SEMS SCREW
7	500156	N08 X 5/8 INCH LONG PLASTITE STAINLESS STEEL SCREW
8	500122	GASKET
9	500121	THERMOSTAT
10	500120	M5 X 3MM LONG POZI PAN TAPTITE SCREW
12	501026	SOCKET COVER GASKET
13	501027	SOCKET COVER
14	500463	POWER TAKE OFF SOCKET
15	501028	N08 X 1/2 INCH LONG POZI PAN STAINLESS STEEL PLASTITE SCREW
16	500112	TOP MOTOR GASKET
17	500113	MOTOR BOTTOM GASKET
18	500492	FAN GUARD
19	1001102	N08 X 1 INCH LONG POZI PAN STAINLESS STEEL PLASTITE SCREW
50	500114	PROCESSED BOTTOM MOTOR HOUSING

POS.	ITEM no.	DESCRIPTION
51	500961	START MODULE
52	500997	N06 X 5/8 INCH LONG POZI PAN PLASTITE SCREW
53	500119	570 AIR SEPERATOR (LAMB BYPASS MOTOR DUPLEX)
55	500111	TOP MOTOR HOUSING (DUPLEX)
56	500902	LAMB BYPASS MOTOR 240V
57	500651	HANDLE BASE MOULDING + 3 INSERTS
58	500916	HANDLE COVER (10 AMP / 3 PIN / 2 SWITCH)
59	500963	SUPPRESSOR ASSEMBLY
60	501029	EARTH CONTACT PIN
61	501014	CONTACT PIN
62	500110	M4 X 10MM LONG T20 SEMS SCREW Z/PL - TX20 HEAD
63	501017	PLUG LOCATION CLAMP
64	500560	STRAIN RELIEF
65	500599	CABLE CLIP
66	501016	HANDLE REAR SEAL
67	500441	10.0MT X 1,5MM X 3 CORE YELLOW NUCABLE (SOCKET + PLUG) EURO
68	500435	SWITCH MOUNTING BRACKET
69	500991	KOOLSTOFBORSTEL (PER STUK)



Hermesweg 11<sup>A</sup>  
4051 BV Ochten

+31 (0)85 902 00 00  
info@airbo.eu

[www.AIRBO.eu](http://www.AIRBO.eu)

VA - 17012023